



ROWE SCIENTIFIC

PTY LTD ABN 63 009 437 790

For accuracy and professionalism

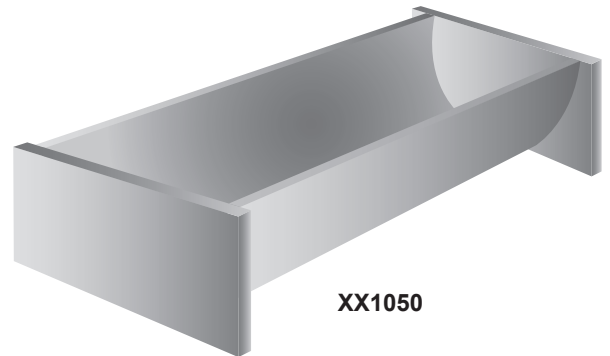
Providing laboratory supplies to the scientific community across Australia since 1987. We are proudly a 100% Australian owned company.

www.rowe.com.au



MINING & INDUSTRIAL LABORATORY PRODUCTS

Save on XRF sample preparation essentials with these deals



South Australia & Northern Territory
Ph: (08) 8186 0523
rowesa@rowe.com.au

Queensland
Ph: (07) 3376 9411
roweqld@rowe.com.au

Victoria & Tasmania
Ph: (03) 9701 7077
rowevic@rowe.com.au

Western Australia
Ph: (08) 9302 1911
rowewa@rowe.com.au

New South Wales
Ph: (02) 9603 1205
rowensw@rowe.com.au

ROWE CODE	DESCRIPTION	UNIT	NORMAL PRICE	SALE PRICE (ea)	AVAIL.
XX1009	XRF film, thin film sample support 6.0 micron Mylar	100	\$94.66	\$71.89	1
XX1050	XRF disc tray, PVC, 200mmL x 45mmW, to hold up to 42mm diameter discs	ea	\$419.24	\$83.60	1
XG1005	Tablet XRF, anti-caking, plasticizing, grinding and binding additives	500	\$199.50	\$95.00	4
XP1050	XRF pellet cups, aluminium, 33mm	1500	\$470.25	\$290.00	1

*Prices do not include GST and only while stock lasts. We reserve the right to change specifications, details and descriptions without notice. Pictures for illustrative purposes only. Discounts do not apply to service, freight and or repair charges.